

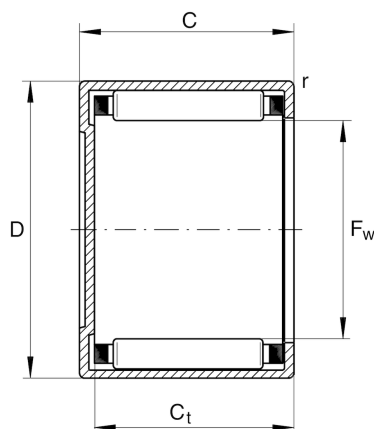
BK1516-A

Drawn cup needle roller bearing closed end

Schaeffler ID:
0001769900000

Drawn cup needle roller bearings with
closed end BK, to DIN 618/ISO 3245

Technical information



Main Dimensions & Performance Data

F_w	15 mm	Under roller diameter
D	21 mm	Outside diameter
C	16 mm	Width, outer ring
C_r	10,500 N	Basic dynamic load rating, radial
C_{0r}	14,400 N	Basic static load rating, radial
C_{ur}	1,810 N	Fatigue load limit, radial
n_G	16,500 1/min	Limiting speed
$n_{G \text{ Grease}}$	9,900 1/min	Limiting speed for grease lubrication
n_{gr}	12,300 1/min	Reference speed
	16.215 g	Weight

Additional information

r_{\min}	0.8 mm	Minimum chamfer dimension
	SD15X21X3	Sealing ring
$C_{t \min}$	13.3 mm	Minimum width to base of drawn cup with closed end
	G15X21X3	Sealing ring 2
	LR12X15X16,5	Suitable inner rings LR
	IR12X15X16-XL	Suitable inner rings IR

Temperature range

T_{\min}	-30 °C	Operating temperature min.
T_{\max}	140 °C	Operating temperature max.